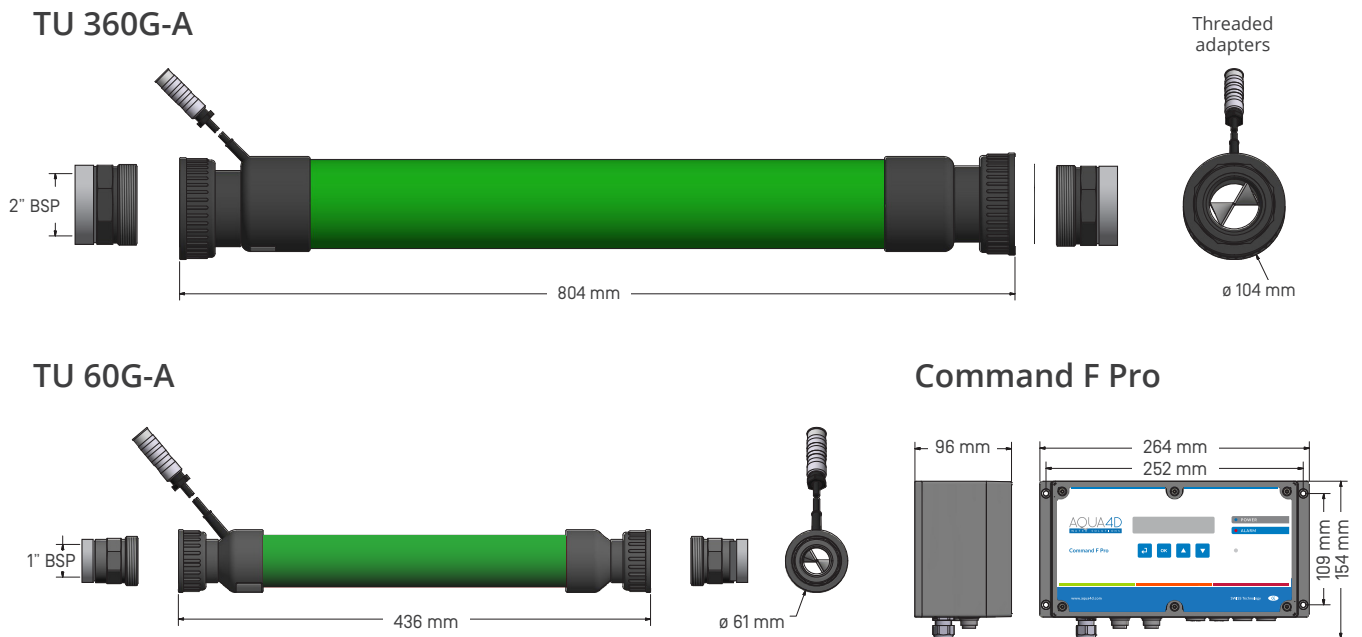


SYSTEM F-A PRO



A modular design

The AQUA4D® F-A Pro system is composed of the following core elements:

Command F Pro

Acting as the brain, the Command F Pro emits the treatment signals to the TUs and continuously controls the good operation of the system at the same time.

Modular design

Multiple Command F Pros can be synchronised to work together, with each one connecting up to four TUs.

Alarm management

The display and command buttons allow for a clear visualisation of the system's status and management of potential alarms.

Parameter configuration

Operating mode, language choice and alarm management can be configured straight from the Command.

Alarm report (optional)

The "alarm report" extension card allows the transmission of alarms to a central management unit.

Treatment units (TU)

These diffuse the signals generated by the Command F Pro in the water. Depending on the total water flow to be treated, the F-A Pro System is equipped with solely 60G-A or 360G-A TUs installed in parallel, effectively bringing the water flow treatment capacity to infinity.

TU 360G-A

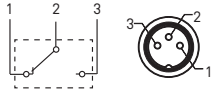
The larger of the two treatment units (TU), this model can treat a water flow up to 21,6 m³/hr (95.1 US gpm, 79.2 gpm).

TU 60G-A

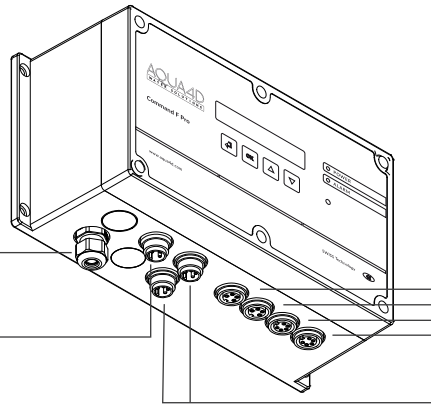
This TU acts in the same way as its larger sibling below, but has a lower water flow debit.

Connectivity & Options

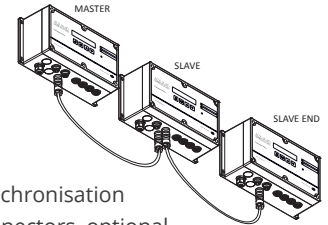
Power supply
100-240 V~, 47- 63 Hz



Relay output – Alarm report
Optional



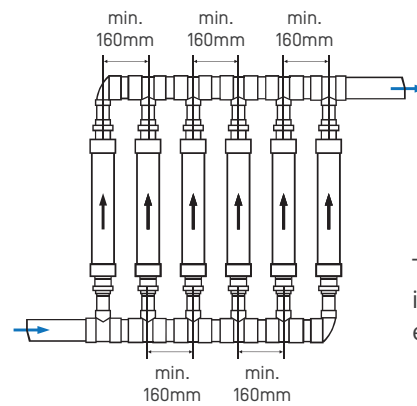
Connection to TU
Modular: 1 – 4 connectors



Synchronisation
connectors, optional

Installation instructions

- The positioning of the TUs within the water network must comply with strict rules. Consult your supplier.
- The installation of the TUs in the pipes is performed in such a way that the arrow is pointing in the direction of the water flow
- The TUs can be installed horizontally or vertically.
- Use only the supplied O-rings for sealing.
- Several TUs can be installed in parallel:
 - Minimum distance between 2 TU 60s is 100 mm, measured from the centre of one axis to the other
 - Minimum distance between 2 TU 360s is 160 mm, measured from the centre of one axis to the other



TU360G-A
installation
example

Attention!

The TUs AQUA4D® should not be subject to any mechanical stress (traction or torque) during installation. No mechanical intervention should be performed on the TUs.

AQUA4D® PRO configurations

	Command F Pro quantity	TU 360G-A quantity	Item n°	Flow rate (m³/h)	Flow rate (L/m)	Flow rate (gpm)	Flow rate (US gpm)	Weight (kg)	Power (W)
AQUA4D® F-A Pro 10	1	1	94042	21.6	360	79.2	95.1	9	13
AQUA4D® F-A Pro 20	1	2	94054	43.2	720	158.4	190.2	16.3	23
AQUA4D® F-A Pro 30	1	3	94063	64.8	1080	237.6	285.3	23.7	33
AQUA4D® F-A Pro 40	1	4	94069	86.4	1440	316.8	380.4	31	43
AQUA4D® F-A Pro 50S	2	5	94072	108	1800	395.9	475.5	40.2	55
AQUA4D® F-A Pro 60S	2	6	94074	129.6	2160	475.1	570.6	47.5	65
AQUA4D® F-A Pro 70S	2	7	94076	151.2	2520	554.3	665.7	54.9	75
AQUA4D® F-A Pro 80S	2	8	94078	172.8	2880	633.5	760.8	62.2	85

Other configurations (smaller and larger flow rates) are available on request.

Designation of the AQUA4D® Systems

In accordance with the configuration that is installed, the designation of the AQUA4D® systems is as follows:

AQUA4D® F-X 01 SR

Letter	Letter	Number 0 - 4	Number 0 - 4	S	R
Product generation	Field of application	Quantity of TU 360	Quantity of TU 60	Synchronisation option	Alarm Report option

Example: AQUA4D® F-A 40 SR

System setup for agriculture (A) comprising four TU 360G-A with 2 options; Synchronisation (S) and Alarm Report (R).

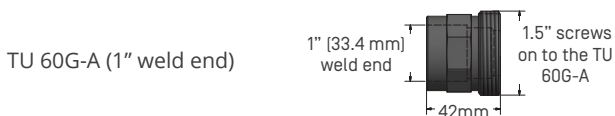
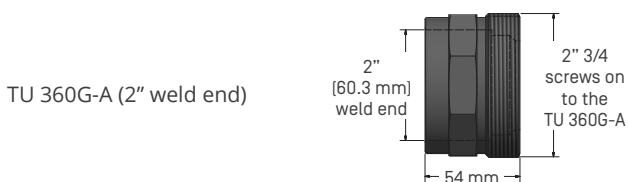
Accessories

	Description	Available lengths				Max. length
		0.6m	5m	> 5m*		
Synchronisation cord	Necessary for the synchronisation of multiple Command F Pros					200m
Extension cord for TU 360G-A	Required when the distance between Command F Pro and TUs is over 2m	5m	10m	15m	> 15m*	50m
Extension cord for TU 60G-A	Required when the distance between Command F Pro and TUs is over 1m	5m	10m	15m	30m	50m

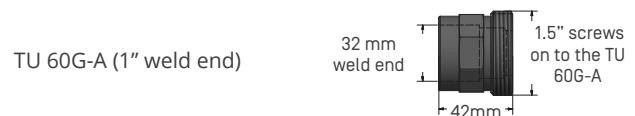
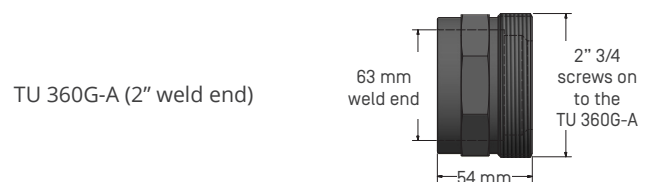
* on request

Adapters (optional)

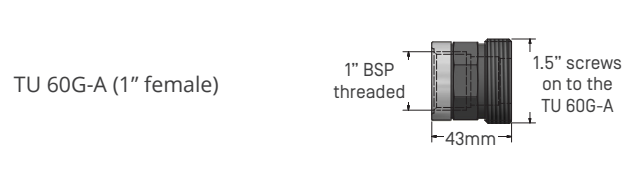
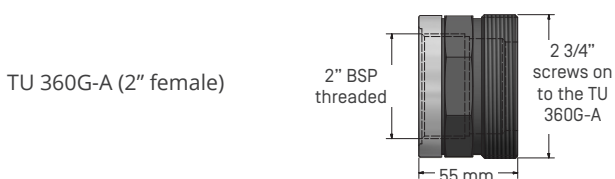
Inch adapter for TUs (to glue)
US standards pipes



Metric adapter for TUs (to glue)



Threaded adapter for TUs



Technical data

Command F Pro

Mechanical construction	
Dimensions	L x W x D : 264 x 154 x 96mm
Weight	1.5 - 2.1 kg (depending on the configuration)
Housing material	Polycarbonate
TU 360 connector(s)	Binder Serie 423, 5 poles, female
TU 60 connector(s)	Binder Serie 423, 4 poles, female
Synchronisation connectors	Binder Serie 423, 4 poles, male
Alarm report connector	Binder Serie 423, 3 poles, male

Power supply	
Supply voltage	100 ... 240 V~, 47 ... 63 Hz
Power consumption	max. 50 W

Ambient conditions	
Protection index	IP 65
Ambient temperature	0 ... 45 °C (32 ... 113 °F)
Storage temperature	-25 ... 60 °C (32 ... 140 °F)
Electromagnetic compatibility	Emissivity and immunity in accordance with IEC 61000-6-1 and IEC 61000-6-3
Surge protection	In accordance with IEC 61000-4-5
Relative humidity	0 ... 95 %, without condensation

TU 360G-A + TU 60G-A

Mechanical construction TU 360G-A	
Length (between mating surfaces)	804 mm
Max. external diameter	104 mm
Connection	Threaded union nut G, 2 3/4", female
Adapters	BSP threaded, 2" female coupling
Size rating	2" (DN 50)
Weight	6.6 kg
Connecting cable length	280 cm
Connector	Binder Serie 423, 5 poles, male
Maximum flow rate	360 L/min (21.6 m³/h, 6 l/s), 79.2 gpm, 95.1 US gpm
Nominal pressure	PN16

Mechanical construction TU 60G-A	
Length (between mating surfaces)	436 mm
Max. external diameter	61 mm
Connection	Threaded union nut G 1.5", female
Adapters	PVC 32 mm, female coupling
Size rating	1" (DN 25)
Weight	1.7 kg
Connecting cable length	150 cm
Connector	Binder Serie 423, 4 poles, male
Maximum flow rate	60 L/min (3.6 m³/h, 1 l/s), 13.2 gpm, 15.8 US gpm
Nominal pressure	PN16

Ambient conditions	
Protection index	IP 65
Ambient temperature	0 ... 50 °C (32 ... 122 °F)
Storage temperature	0 ... 60 °C (32 ... 140 °F)
Installation temperature	10 ... 50 °C (50 ... 122 °F)

Materials and authorisations	
Material	PVC-U

Water temperature	Maximum pressure
20°C	16 bar, 232 psi
40°C	10.3 bar, 149 psi
60°C	4 bar, 58 psi

AQUA4D®

- by Planet Horizons Technologies SA -

Headquarters

Planet Horizons Technologies SA
Ecoparc de Daval A9, 3960 Sierre
Switzerland

T +41 27 480 30 35

info@aqua4d.com

www.aqua4d.com

