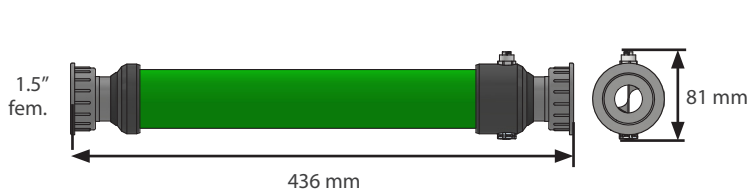


## SYSTEM H-A PRO

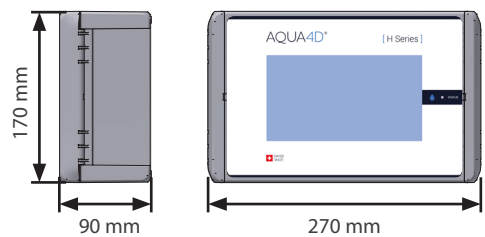
### Treatment Unit TU H-A 360



### Treatment Unit TU H-A 60



### Control Unit CU H PRO



### Control Unit (CU)

The CU H Pro control unit transmits signals to the treatment units (TU) and continuously monitors system operation.

#### 4 outputs available

Each control unit can drive up to 4 treatment units.

#### Alarm management

Constant checking of component operation and notification of any problems.

#### Remote monitoring

Live communication of CU H Pro information and status via LTE-M mobile network (4G or higher), antenna and SIM card included.

### Treatment Unit (TU)

Device for broadcasting the signals generated by the CU H Pro control unit.

#### TU H-A 60

Treatment unit for lower flow rates, up to 60L/min.

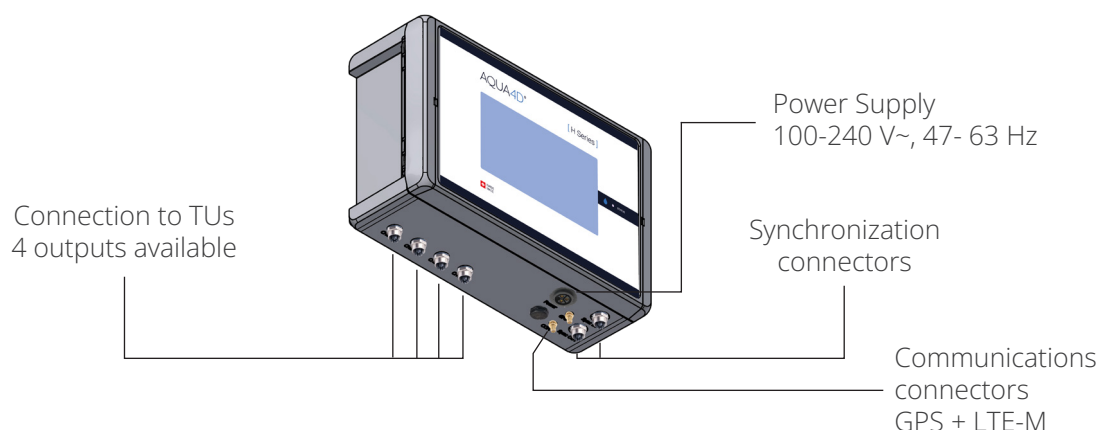
#### TU H-A 360

High-flow treatment unit, guaranteed treatment up to 360L/min.

#### Modularité

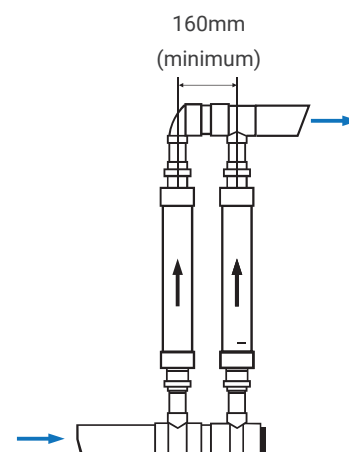
Depending on the total water flow to be treated, the H-A Pro system can combine several treatment units to achieve the desired value. For installations above 2 TU, we offer our fully-integrated, pre-assembled systems, which are awesome.

## Connectivity



## Installation instructions

- The positioning of TUs in the water system must comply with current regulations. Consult applicable standards or a sanitary fitter.
- TUs are installed in pipes so that the arrow points in the direction of water flow.
- TUs can be installed horizontally or vertically.
- Use only the O-rings supplied for sealing.
- Several TUs can be installed in parallel:
  - The minimum distance between 2 TU 60s is 100 mm, measured from the center of one axis to the other.
  - The minimum distance between 2 TU 360s is 160 mm, measured from the center of one axis to the other.



TU H-A 360  
Installation example

### Warning !

AQUA4D® TUs must not be subjected to any mechanical stress (tension or torque) during installation.

## Configurations

System	CU H Pro quantity	TU H-A 360 quantity	TU H-A 60 quantity	Article n°	Water flow (m³/h)	Water flow (L/m)	Water flow (US gpm)	Weight (kg)	Power (W)
AQUA4D® H-A Pro 10	1	1	0	9010002	21.6	360	95.1	9	10
AQUA4D® H-A Pro 20	1	2	0	9020002	43.2	720	190.2	16	15
AQUA4D® H-A Pro 01	1	0	1	9001002	3.6	60	15.8	4	8
AQUA4D® H-A Pro 02	1	0	2	9002002	7.2	120	31.7	6	10
AQUA4D® H-A Pro 03	1	0	3	9003002	10.8	180	47.5	8	13

# System designation

Depending on the configuration installed, AQUA4D® systems are designated as follows:

**Example : AQUA4D® H-A Pro 20**

System configuration for agriculture (A) including 2x TU H-A 360 + 0x TU H-A 60

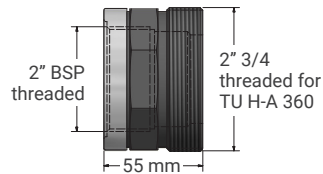
## AQUA4D® H-A Pro 20

1st letter	2nd letter	1st number	2nd number
Product generation	Application A = Agriculture B = Building	Quantity of TU 360 0 to 4 units	Quantity of TU 60 0 to 4 units

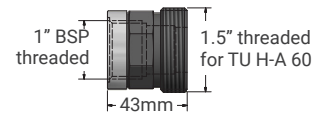
# Accessories

## Adapters supplied

TU H-A 360



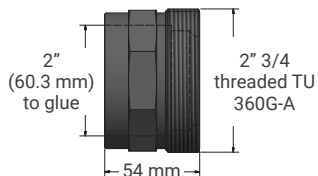
TU H-A 60



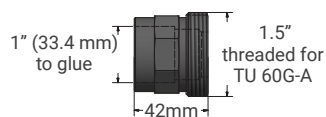
## Optional adapters

*Inch adapters for US standard pipes to glue*

TU H-A 360

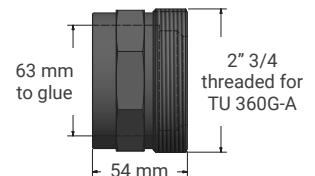


TU H-A 60

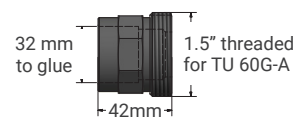


*Metric adapters for TUs to glue*

TU H-A 360



TU H-A 60



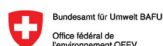
# Technical data

## CU H Pro

Mechanical specs	
Dimensions	270 x 170 x 90 mm
Weight	1.4 kg
Housing material	Polycarbonate
TU Connectors	Amphenol M12-X series 8-pole, female
Power connector	Amphenol PWC 3-pole, 20A
Pressure compensator	M12 - IP68
Communication antenna	GPS and LTE-M, molded cable
Antenna connectors	RF Cables SMA Gold Jack (fem)

Power supply	
Supply voltage	100 ... 240 V~, 47 ... 63 Hz
Power consumption	max. 25 W

Ambient conditions	
Protection class	IP 65
Ambient temperature	0 ... 40 °C
Storage temperature	-25 ... 60 °C
Electromagnetic compat- ibility	Emissivity and immunity in compliance with IEC 61000-6-1 and IEC 61000- 6-3 standards
Overvoltage protection	In accordance with IEC 61000-4-5
Relative humidity	0 ... 95%, non-condensing



# AQUA4D®

- by Planet Horizons Technologies SA -

## Planet Horizons Technologies SA AQUA4D

Ecoparc de Daval A9  
3960 Sierre  
Switzerland  
T +41 27 480 30 35  
info@aqua4d.com  
www.aqua4d.com

## TU H-A 360 + TU H-A 60

Mechanical specs TU H-A 360	
Length (without gaskets)	804 mm
Max. diameter	113 mm
Connection	Threaded nut 2" 3/4, female
Adapters supplied	PVC 2"3/4 to 2" female screw-in
Passage diameter	2" (DN 50)
Weight	7 kg
Cable length	200 cm
Connectors	Amphenol M12-X series 8-pole, female
Maximum flow	360 L/min, 21.6 m3/h, 95.1 US gpm
Material	PVC-U
Nominal pressure	PN16

Mechanical specs TU H-A 60	
Length (without gaskets)	436 mm
Max. diameter	81 mm
Connection	Threaded nut 1.5", female
Adapters supplied	PVC 1.5" to 1" female screw-in
Passage diameter	1" (DN 25)
Weight	1.8 kg
Cable length	200 cm
Connectors	Amphenol M12-X series 8-pole, female
Maximum flow	60 L/min, 3.6 m3/h, 15.8 US gpm
Material	PVC-U
Nominal pressure	PN16

Environmental conditions	
Protection class	IP 65
Ambient temperature	0 ... 50 °C (32 ... 122 °F)
Storage temperature	0 ... 60 °C (32 ... 140 °F)
Installation temperature	10 ... 50 °C (50 ... 122 °F)

Water temperature	Pression maximale
20°C	16 bar, 232 psi
40°C	10.3 bar, 149 psi
60°C	4 bar, 58 psi