



## H-A PRO 300-400 M

2025 v1

The **H-A Pro 300-400 M** series, enhances efficiency in irrigation and prolongs the lifespan of your water network. This treatment system is designed and pre-assembled as an independent unit.

### Plug & Play

The system is delivered ready for rapid installation at the customer's site, easily connecting to existing irrigation configurations. This ready-to-use system allows AQUA4D to have total quality control: it is built in our facilities in Switzerland, with extensive testing performed before shipping to ensure the product is ready to arrive. The customer simply needs to connect the H-A Pro to their irrigation network and plug it into the electricity grid.

### Easy to move

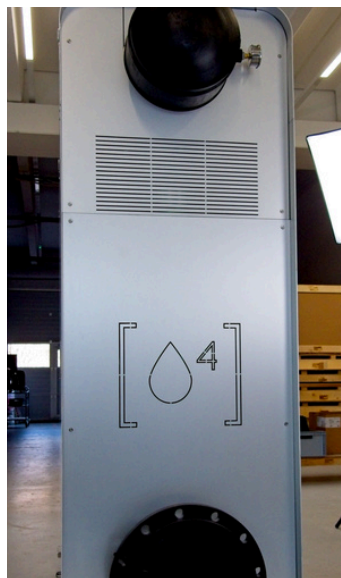
If the irrigation process stops during the winter and the system needs to be stored, the H-A Pro is easy to move to another location where it will not suffer from the cold.

### Applications

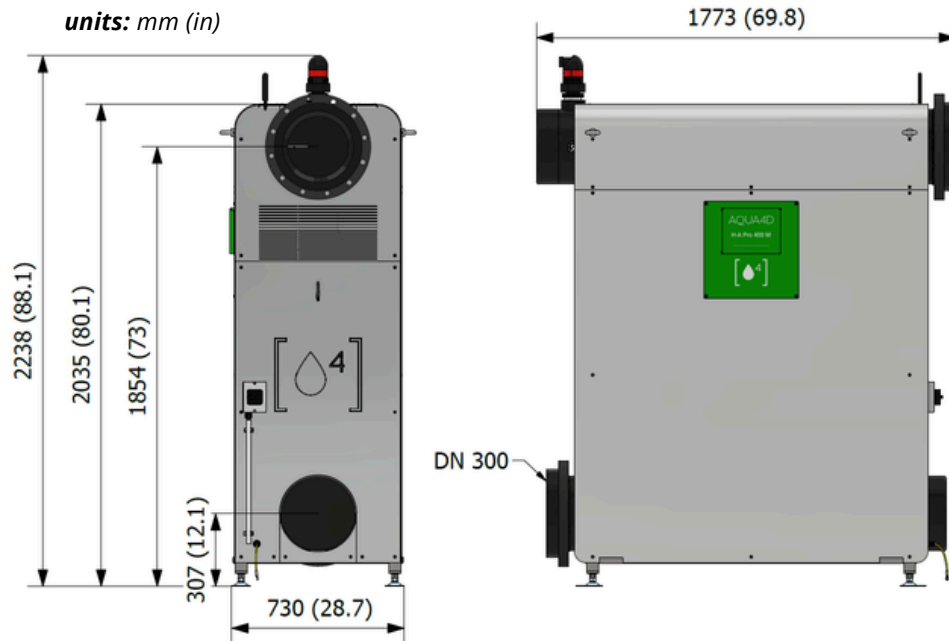
AQUA4D is versatile, benefiting diverse irrigation applications. In agriculture, it optimizes water use for field crops, orchards, and vineyards, boosting yields and reducing consumption. Horticulturally, it improves water and nutrient delivery in greenhouses, nurseries, and hydroponics. For landscaping, AQUA4D enhances turfgrass, gardens, and parks, promoting healthy growth with less water. Its core benefit – restructured water for optimal absorption – translates to improved plant health and sustainable irrigation across various settings.

### Minimum energy consumption

AQUA4D systems require only a small amount of energy to operate and can also be connected to an off-grid solar system if no grid connection is available.



## MECHANICAL DATA



TECHNICAL DATA	H-A Pro 300 M	H-A Pro 400 M
Maximum flow rate [m3/h]	540	720
Maximum flow rate [gpm]	1980	2640
Maximum flow rate [US gpm]	2378	3170
Dimension LxWxH	1773 x 730 x 2238 mm / 69.8 x 28.7 x 88.1 in	
Power supply	100 - 240 VAC / 50 - 60 Hz	
Power consumption	80 W	100 W
Maximum water temperature	60°C @ 4 bars / 140°F @ 58 psi	
Maximum water pressure	10 bars @ 20°C / 145 psi @ 68°F	
Maximum pressure drop	0.2 bar / 2.9 psi	
Ambient temperature	3°C... 45°C / 37°... 113°F	
Storage temperature	0°C... 60°C / 32° ... 140°F	
Weight (empty)	415kg / 915 lbs	441 kg / 972 lbs
Hydraulic connection	DIN DN 300	
Adjustable feet height range	10 cm / 3.9 in	

### EUROPE

AQUA4D Corporate HQ

Planet Horizons Technologies  
Ecoparc Daval A9  
3960 Sierre  
Suisse

+41 27 480 30 35  
info@aqua4d.com

### USA

Regional Office

AQUA4D US LLC  
7740 W. Sunnyview  
CA – 93291 Visalia  
California, USA

+1 559 429 1218  
info.us@aqua4d.com

### LATIN AMERICA

Regional Office

AQUA4D LATAM  
Marchant Pereira 150, of. 1503  
Providencia, Santiago  
Chile

+56 957 264 534  
info.latam@aqua4d.com