

AQUA4D®



H-A PRO 100 M

2025 v1

The **H-A Pro 100 M** enhances efficiency in irrigation and prolongs the lifespan of your water network. This treatment system is designed and pre-assembled as an independent unit.

Plug & Play

The system is delivered ready for rapid installation at the customer's site, easily connecting to existing irrigation configurations. This ready-to-use system allows AQUA4D to have total quality control: it is built in our facilities in Switzerland, with extensive testing performed before shipping to ensure the product is ready to arrive. The customer simply needs to connect the H-A Pro 100 M to their irrigation network and plug it into the electricity grid.

Easy to move

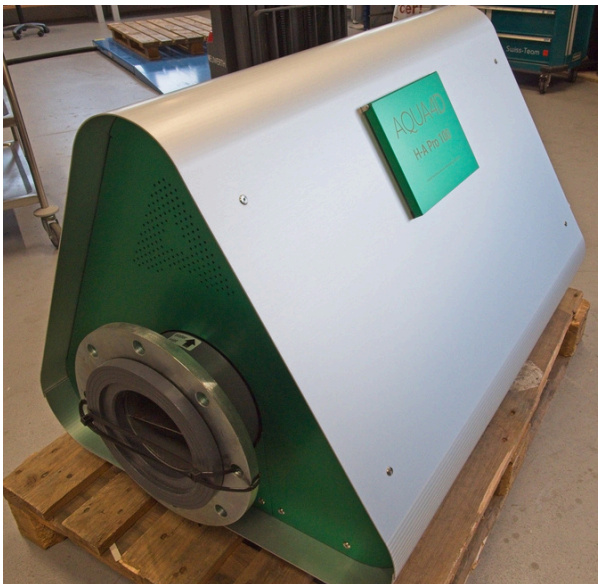
If the irrigation process stops during the winter and the system needs to be stored, the H-A Pro 100 M is easy to move to another location where it will not suffer from the cold.

Applications

AQUA4D is versatile, benefiting diverse irrigation applications. In agriculture, it optimizes water use for field crops, orchards, and vineyards, boosting yields and reducing consumption. Horticulturally, it improves water and nutrient delivery in greenhouses, nurseries, and hydroponics. For landscaping, AQUA4D enhances turfgrass, gardens, and parks, promoting healthy growth with less water. Its core benefit – restructured water for optimal absorption – translates to improved plant health and sustainable irrigation across various settings.

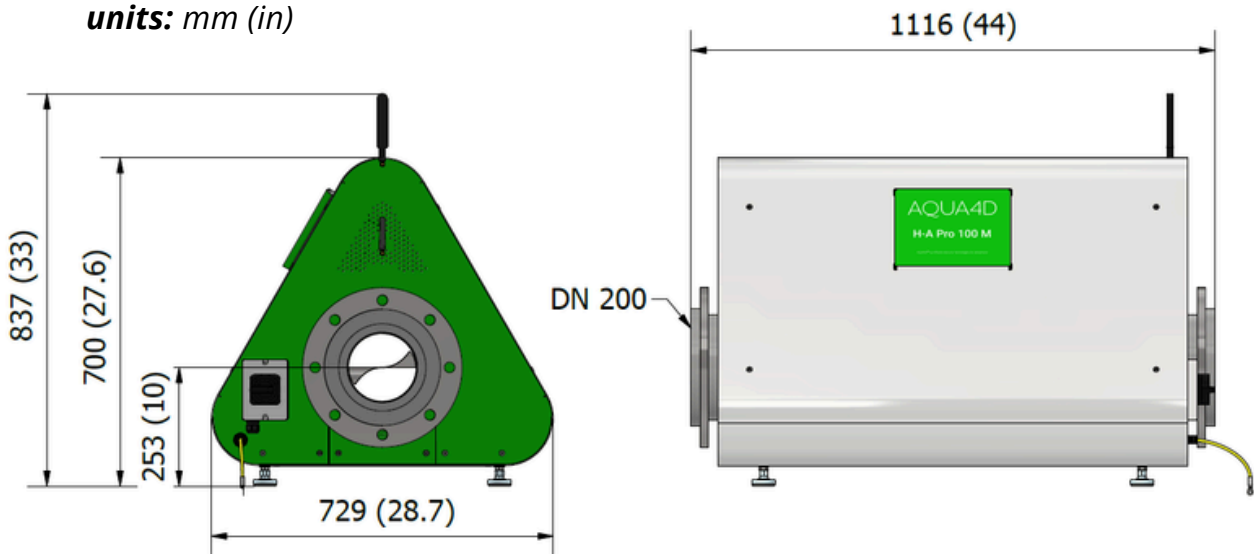
Minimum energy consumption

AQUA4D systems require only a small amount of energy to operate and can also be connected to an off-grid solar system if no grid connection is available.



MECHANICAL SPECIFICATIONS

units: mm (in)



TECHNICAL DATA

Maximum flow rate	180 m ³ /h / 659 gpm / 792 US gpm
Dimension LxWxH	1116 x 729 x 837 mm / 43.9 x 28.7 x 32.9 in
Power supply	100 - 240 VAC / 50 - 60 Hz
Power consumption	40 W
Maximum water temperature	60°C @ 4 bars / 140°F @ 58 psi
Maximum water pressure	10 bars @ 20°C / 145 psi @ 68°F
Maximum pressure drop	0.2 bar / 2.9 psi
Ambient temperature	3°C... 45°C / 37°... 113°F
Storage temperature	0°C... 60°C / 32° ... 140°F
Weight (empty)	65 kg / 143 lbs
Hydraulic connection	DIN DN 200
Adjustable feet height range	10 cm / 3.9 in

EUROPE

AQUA4D Corporate HQ

Planet Horizons Technologies
Ecoparc Daval A9
3960 Sierre
Suisse

+41 27 480 30 35
info@aqua4d.com

USA

Regional Office

AQUA4D US LLC
7740 W. Sunnyview
CA – 93291 Visalia
California, USA

+1 559 429 1218
info.us@aqua4d.com

LATIN AMERICA

Regional Office

AQUA4D LATAM
Marchant Pereira 150, of. 1503
Providencia, Santiago
Chile

+56 957 264 534
info.latam@aqua4d.com